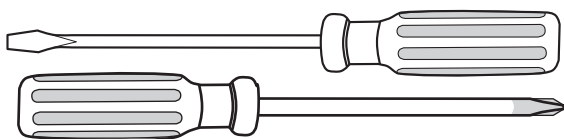
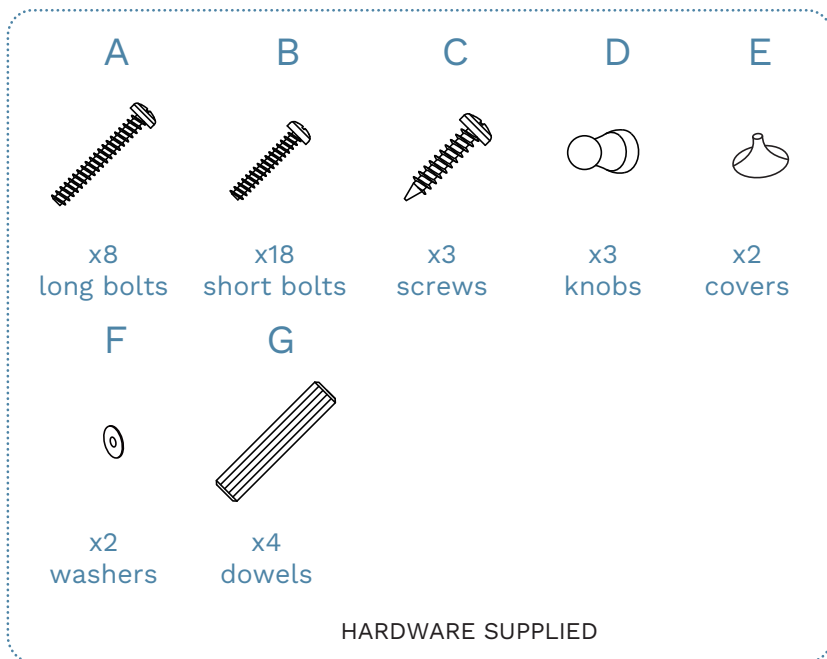


Kids Modern BBQ

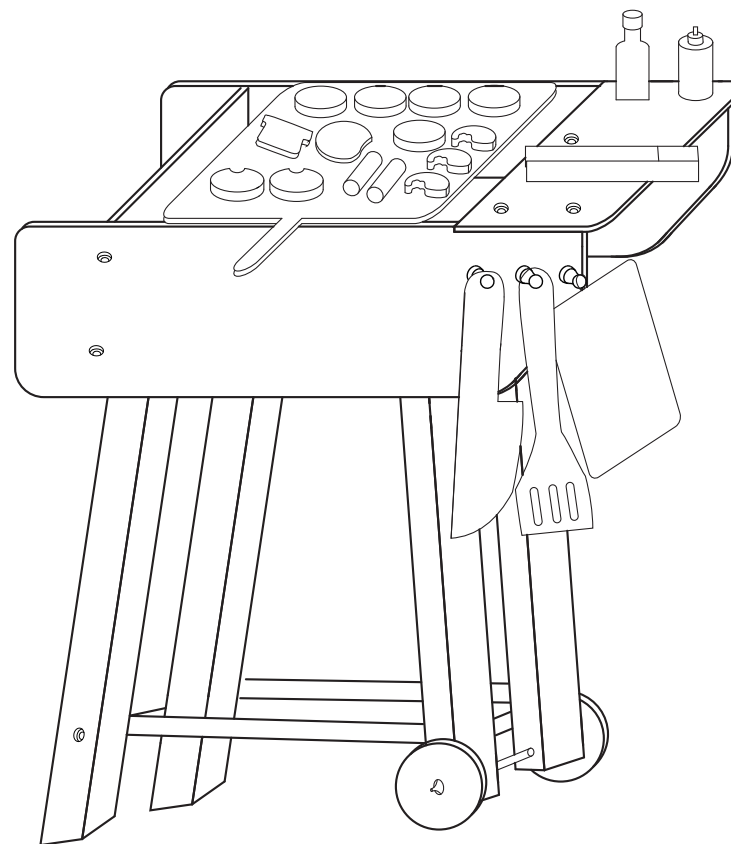
Thank you for purchasing Kids Modern BBQ. Please follow the manufacturer's assembly instructions in detail.



Phillips & Flathead screwdrivers required.

For quicker assembly, we recommend the use of a power drill on a low-speed setting.

Not suitable for children under 2 years of age.



WARNING: Small parts are used to assemble the Mocka BBQ and should only be assembled by an adult. Keep all assembly parts away from children.

Kids Modern BBQ



1



2



3 x2



4



5



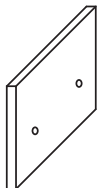
6 x2



7 x2



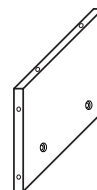
8



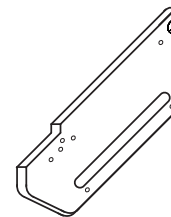
9



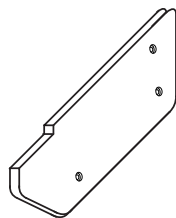
10



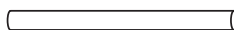
11



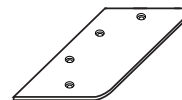
12



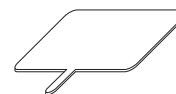
13



14



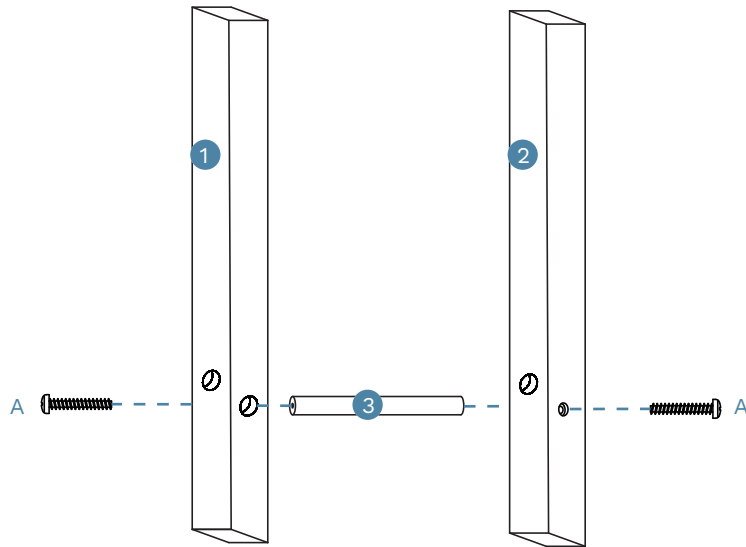
15



16

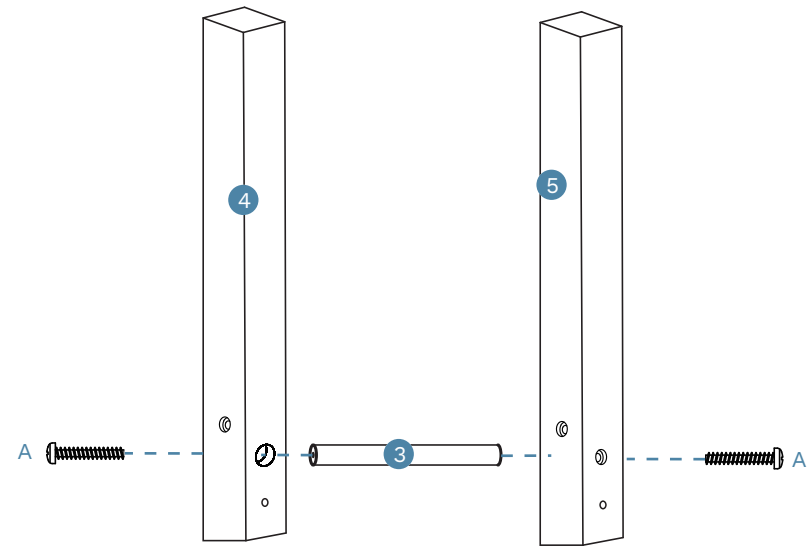
Kids Modern BBQ

1



Attach panels (1), (2) and (3) together as shown and secure with 2 x screws (A). Tighten with a screwdriver.

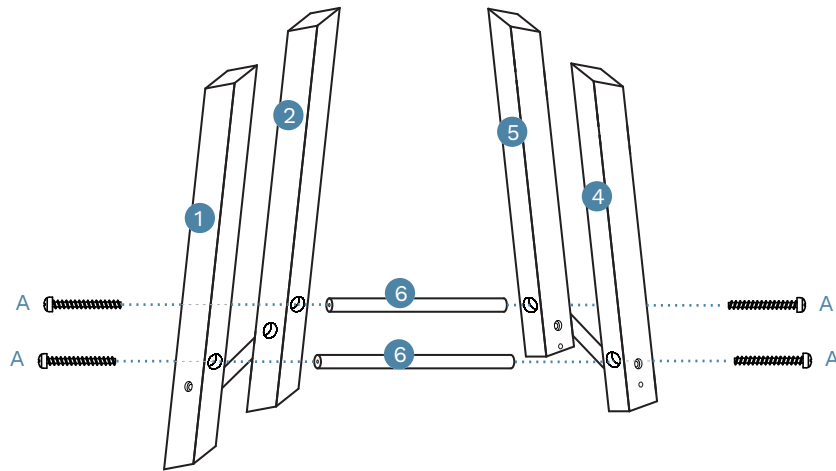
2



Attach panels (4), (5) and (3) together as shown and secure with 2 x screws (A). Tighten with a screwdriver.

Kids Modern BBQ

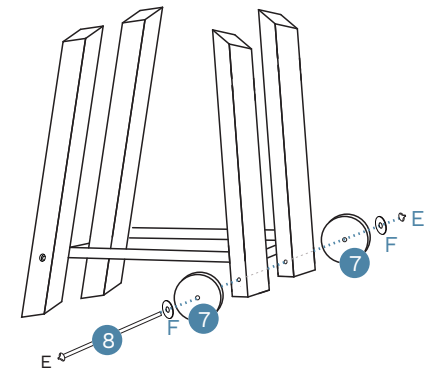
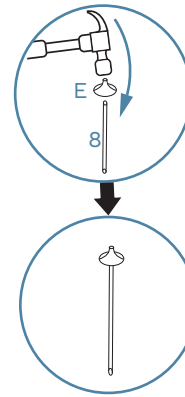
3



Attach panels (1), (2), (5), (4) and (6) together as shown and secure with 4 x screws (A). Tighten with a screwdriver.

4

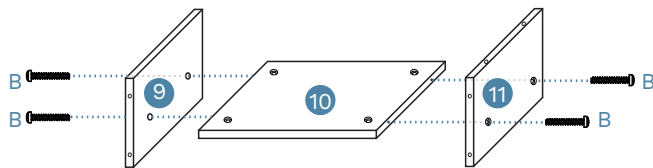
Hammer
not included.



Attach panels (7) to assembled frame as shown and secure with 2 x washers (F) and 2 x covers (E). Secure with panel (8) as shown using a hammer.

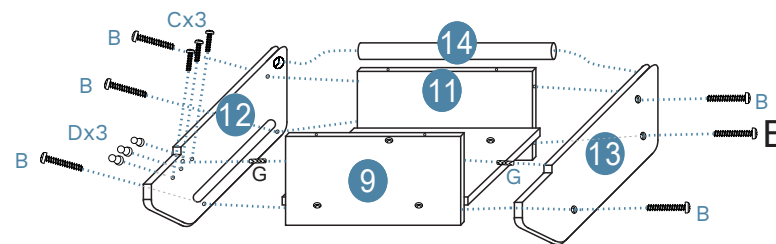
Kids Modern BBQ

5



Attach panels (9), (10) and (11) together as shown and secure with 4 x screws (B). Tighten with a screwdriver.

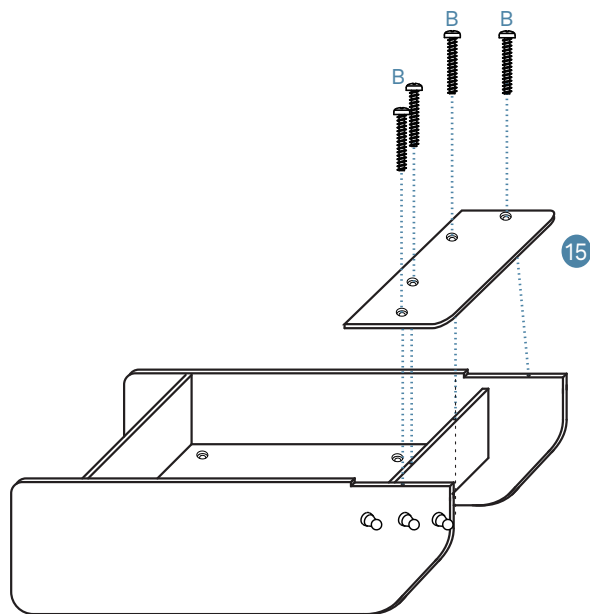
6



Attach panels (12), (14), (11), (9) and (13) together as shown and secure with 4 x screws (B), 4 x dowels (G), 3 x screws (C) and 3 x knobs (D). Tighten with a screwdriver.

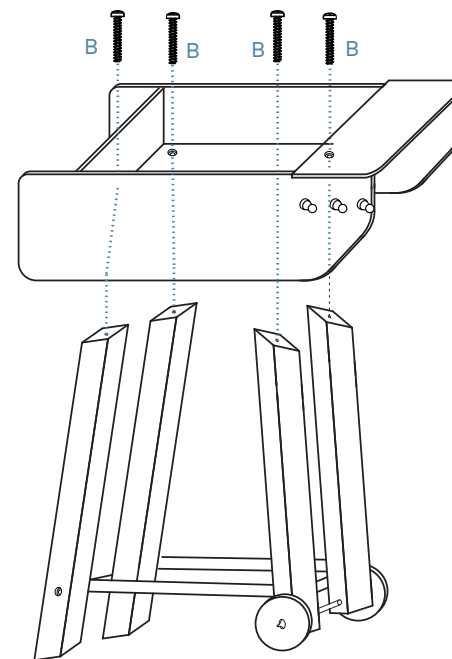
Kids Modern BBQ

7



Attach panel (15) to assembled frame as shown and secure with 4 x screws (B). Tighten with a screwdriver.

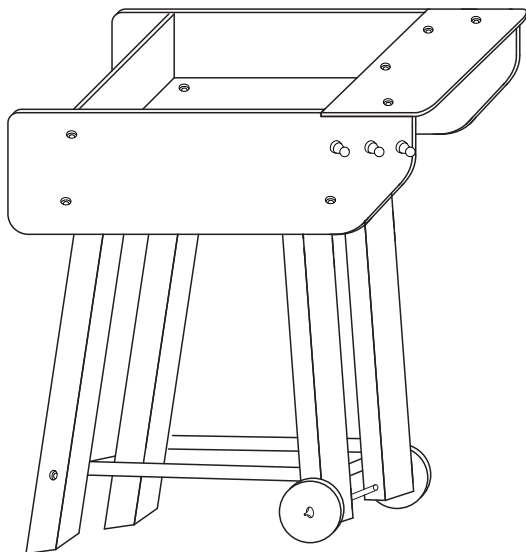
8



Attach assembled frames together as shown and secure with 4 x screws (B). Tighten with a screwdriver.

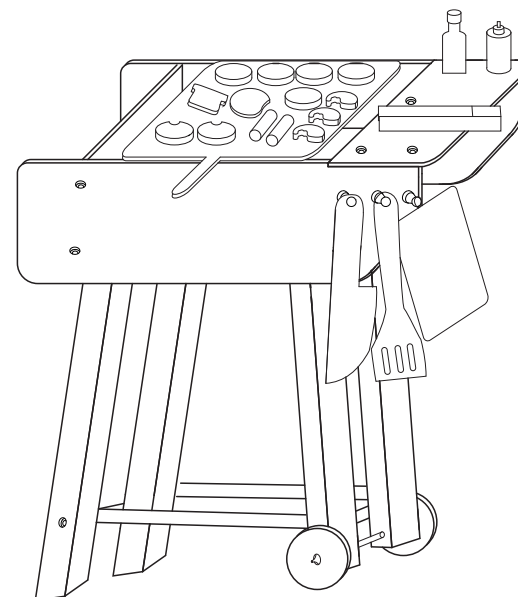
Kids Modern BBQ

9



Once assembled lift furniture into place, do not drag. Ensure unit is balanced and steady before use. You're done, enjoy!

10



Add utensils to assembled furniture as shown.